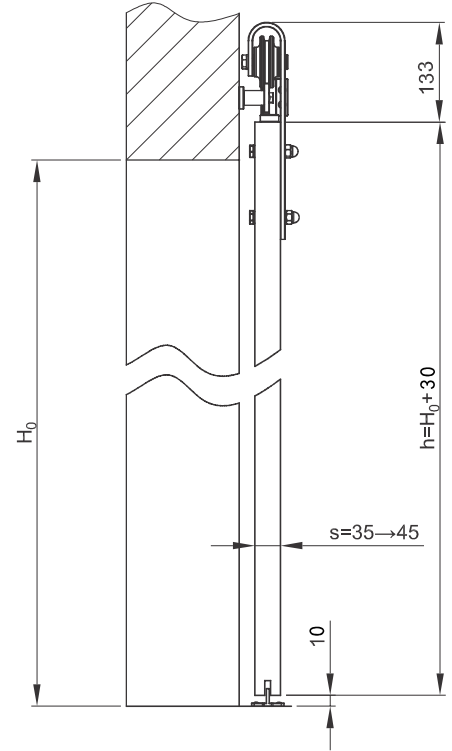
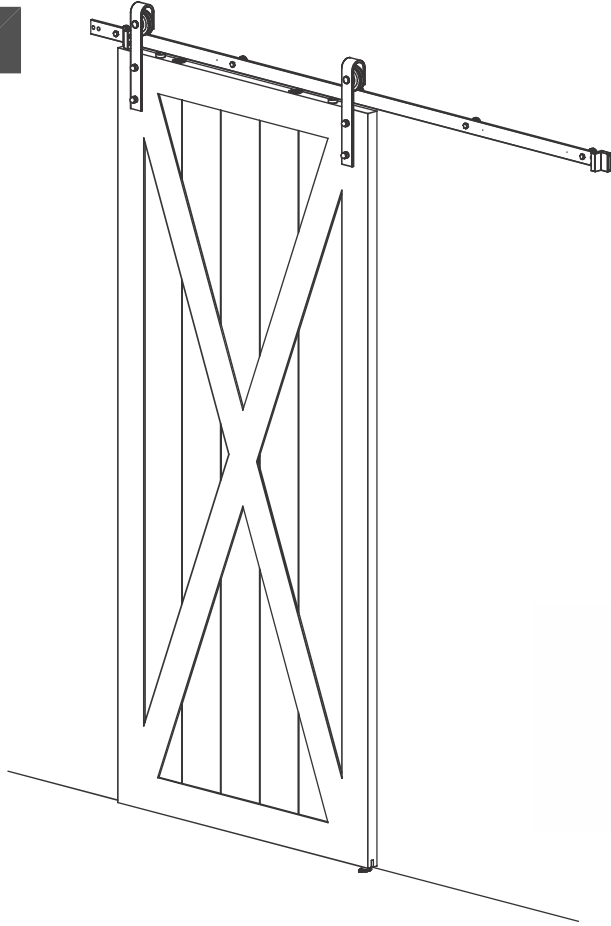
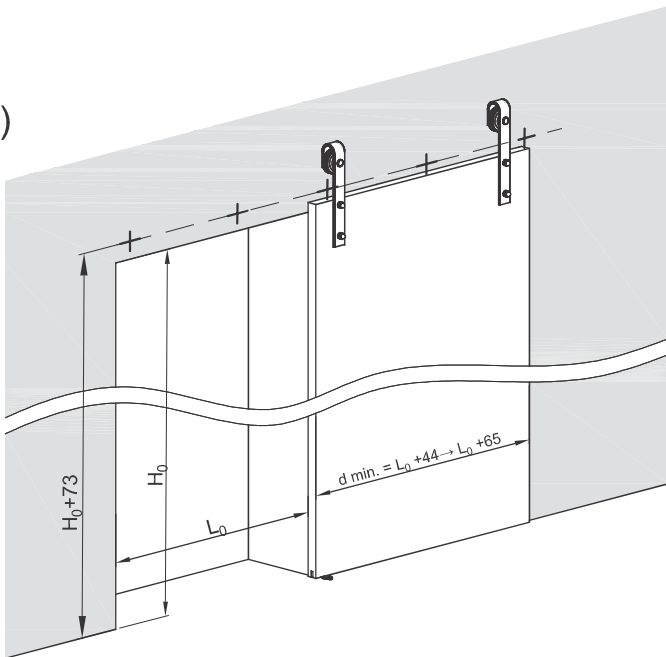


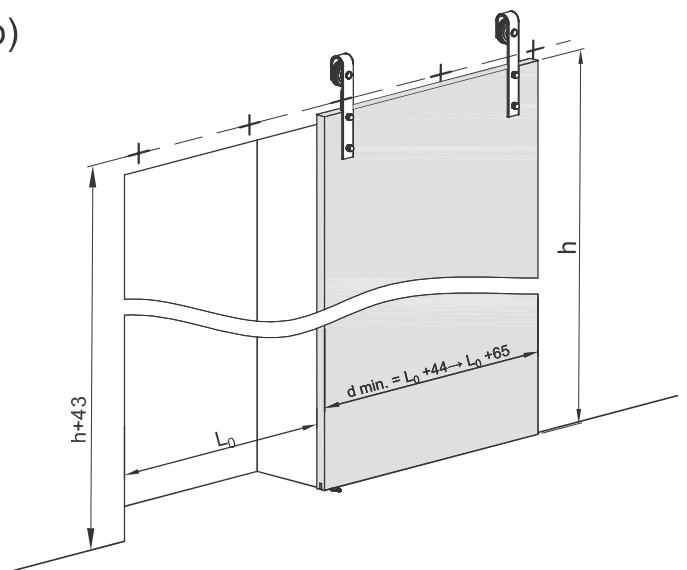
1

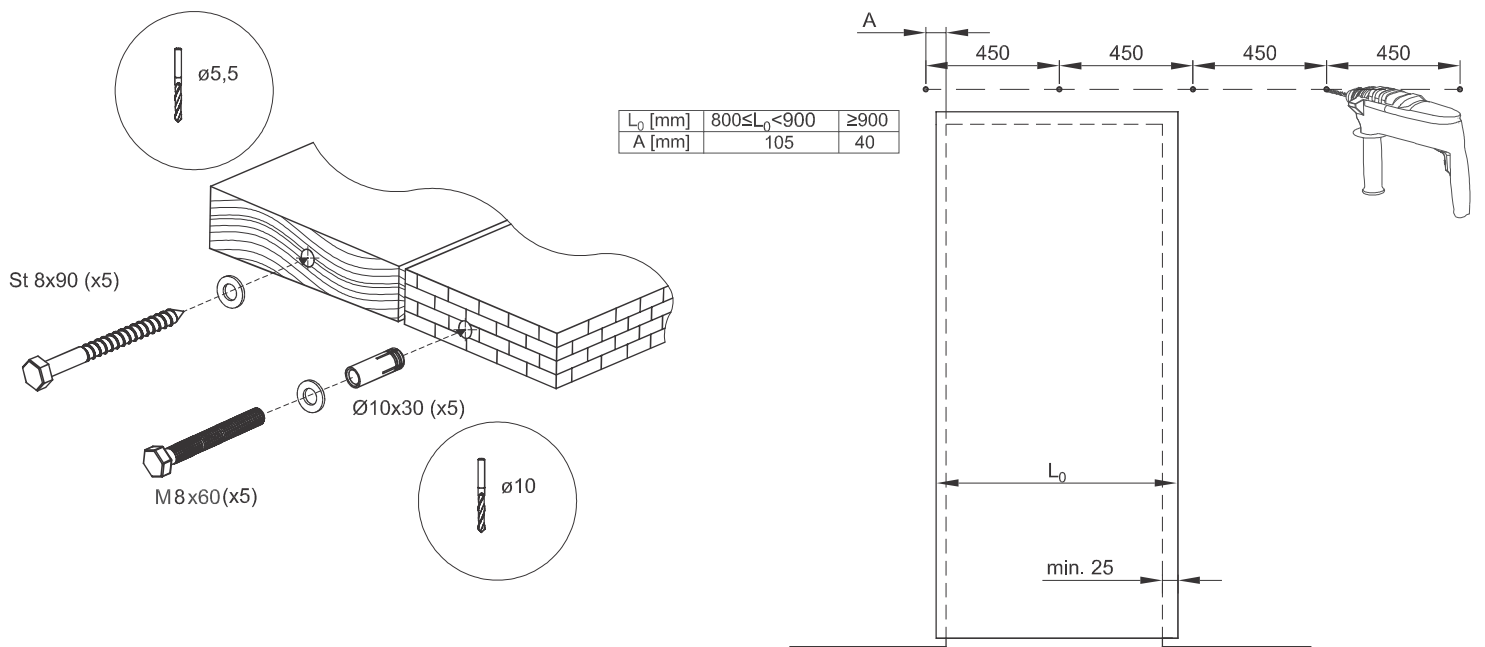


a)



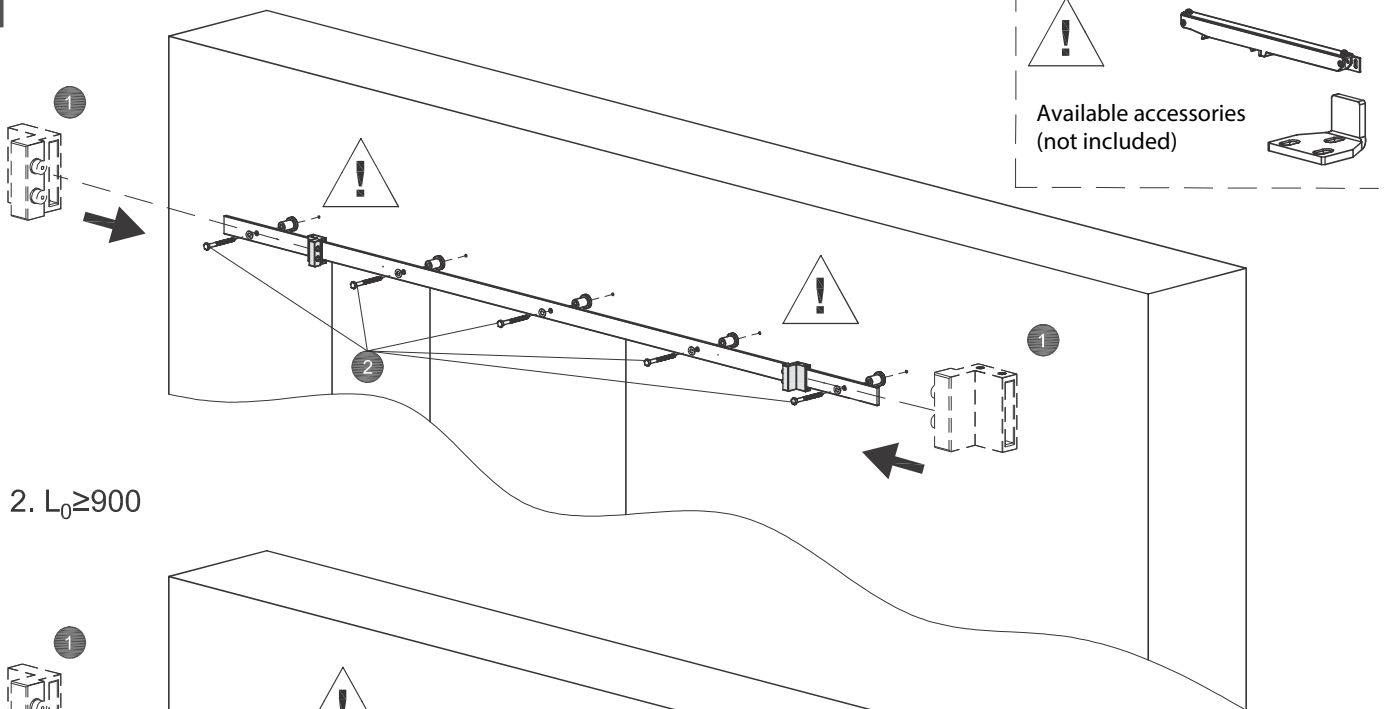
b)



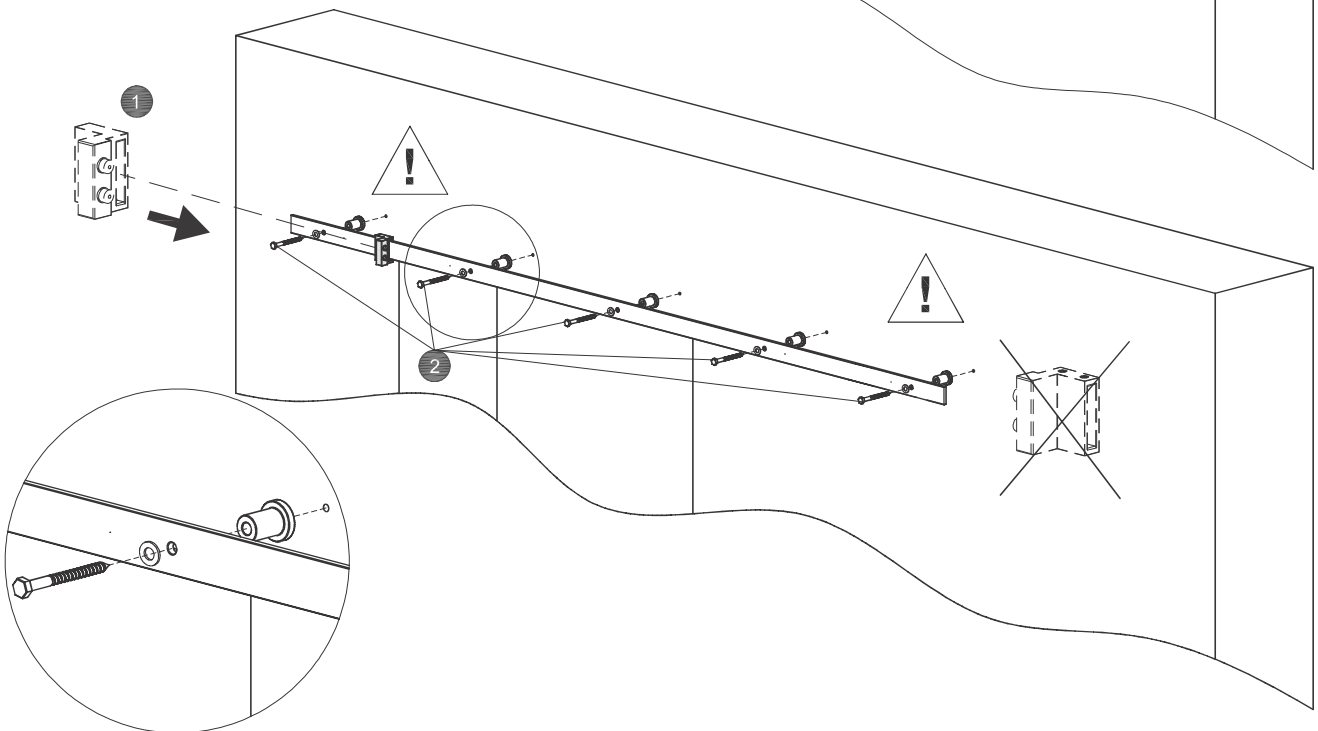


1. $L_0 800 \leq L_0 < 900$

2



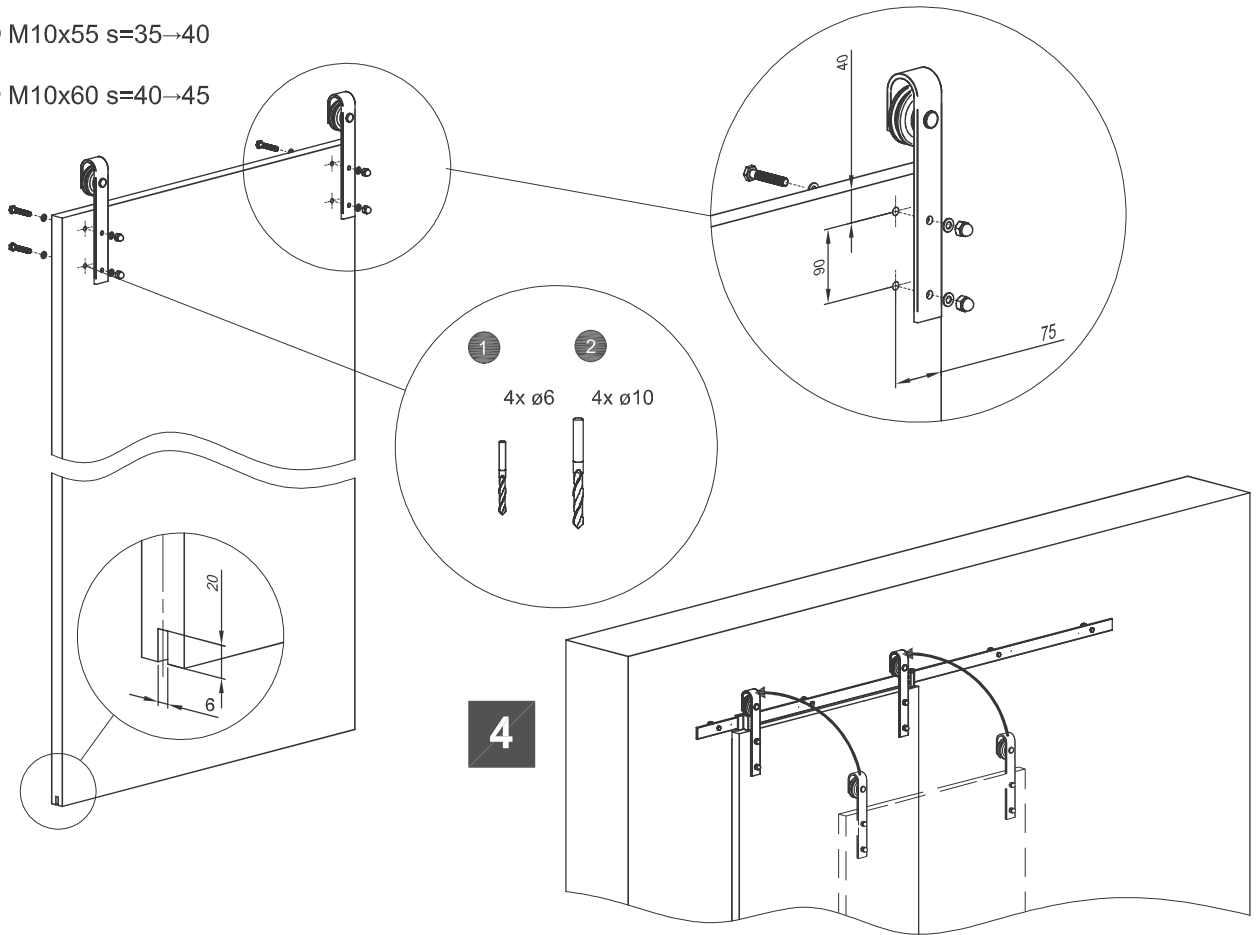
2. $L_0 \geq 900$



3

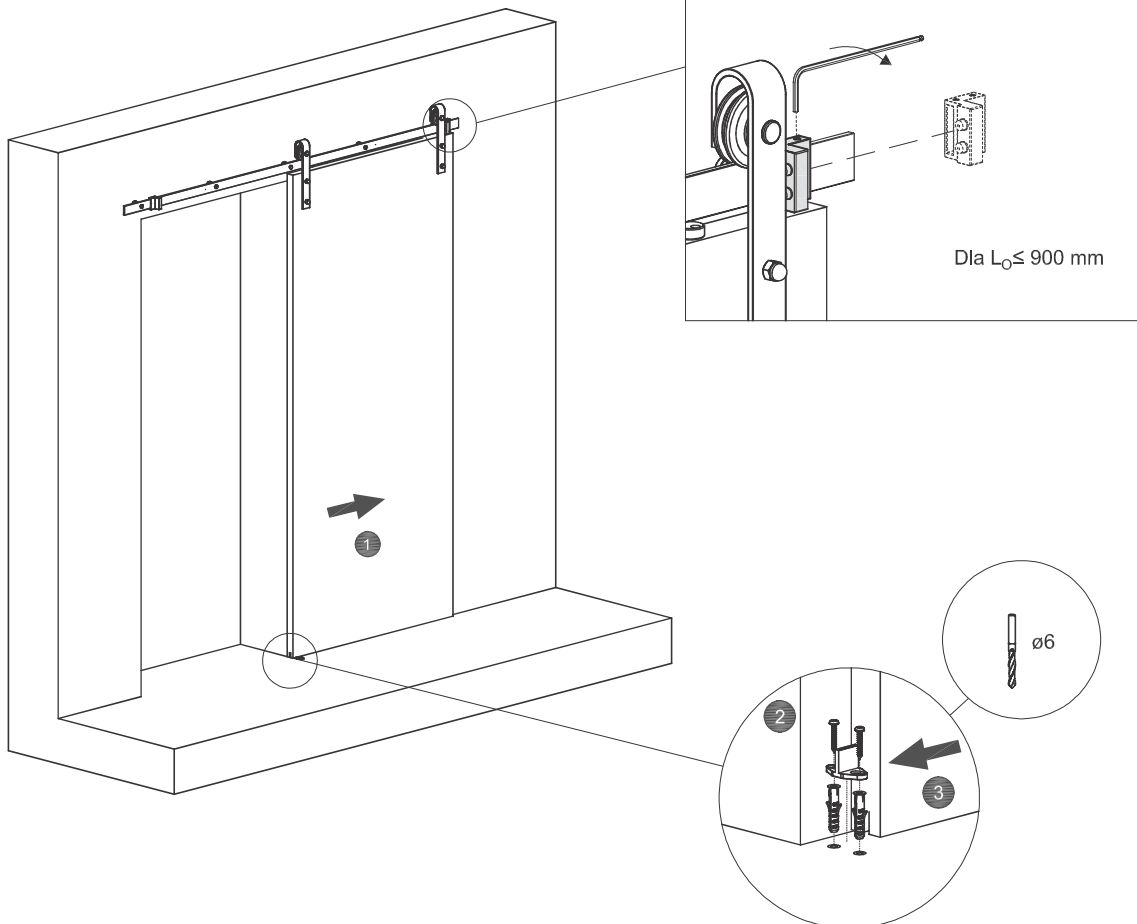
1 M10x55 s=35→40

2 M10x60 s=40→45

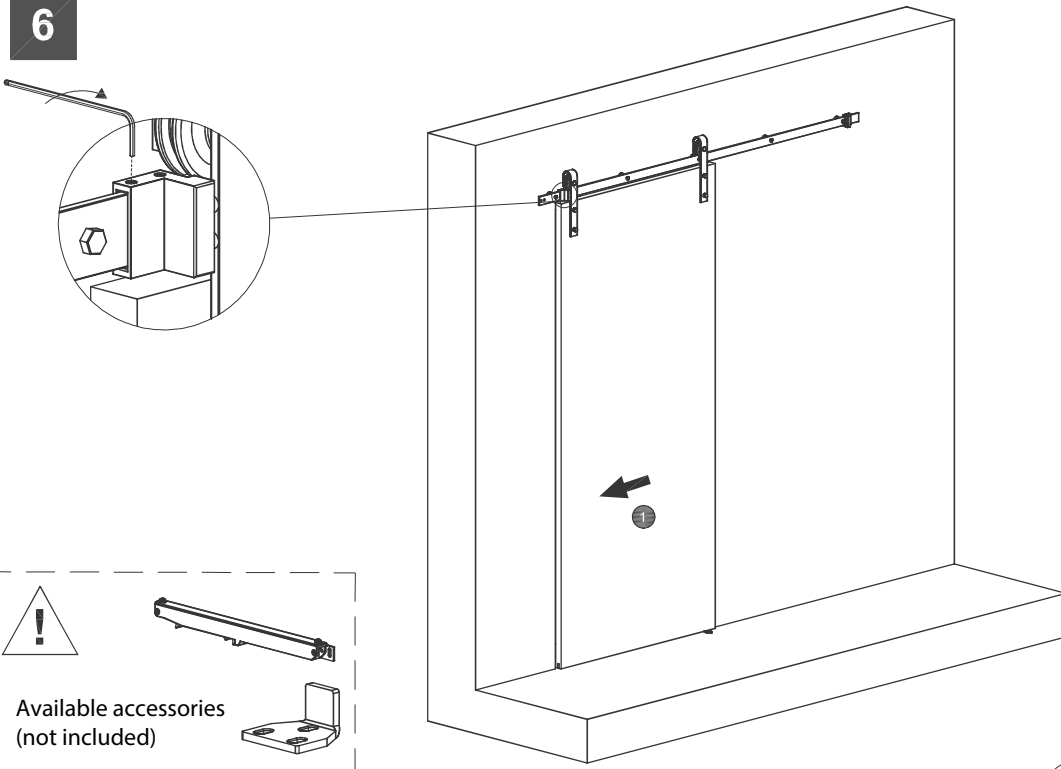


4

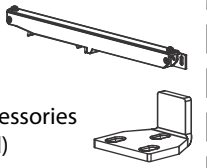
5



6



Available accessories
(not included)



7

